



SHIP PARTICULARS

8K-240

Name	Built	IMO-No.	Flag
Industrial Emma	2009	9474371	Antigua & Barbuda

GENERAL INFORMATION

Type	Box-Hold MPP Tweendecker
Class	DNV GL

TONNAGE

DWT	7,700 mt
GT	6,155
NT	2,759

MAIN DATA

LOA	122.45 m
Beam	18.20 m
Summer Draft	7.15 m
Max Speed	15.0 knots

HOLDS/HATCHES

Number	2 Holds / 2 Hatches
Hold No.1	12.60 x 10.20 x 6.55 m
Hold No.2	65.10 x 13.50 x 9.50 m
Hatch No.1	12.60 x 10.20 m
Hatch No.2	65.10 x 13.50 m

CARGO CAPACITY

with Tweendeck	9,220 cbm / 325,601 cbft	Bale
	9,856 cbm / 348,075 cbft	Grain

FLOOR SPACE

Under Deck	1,854 m ²
On Deck	1,066 m ²
Total	2,920 m ²

MAX. PERMISSIBLE LOAD

Tanktop	#1 10 mt/m ² #2 18 mt/m ²
Tweendeck	#1 2.5 mt/m ² #2 3.5mt/m ²
Hatchcovers	#1 2.3 mt/m ² #2 2.8 mt/m ²

CONTAINERS CAPACITY

Total	532 TEU
Reefer Plugs	32

CARGO HANDLING GEAR

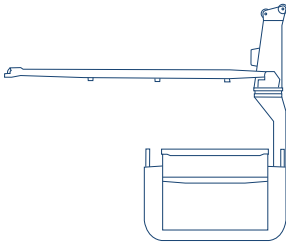
Cranes	2 x 120 mt (portside)
Combined Lift Capacity	240 mt

SPECIAL EQUIPMENT/FEATURE

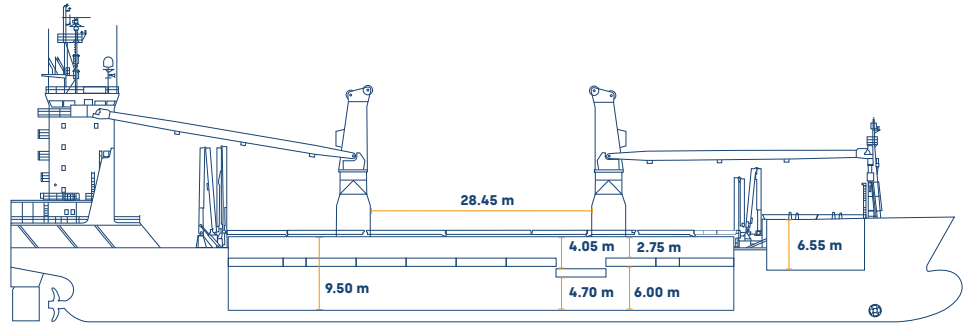
IMO fitted	Yes
Lakes Fitted	Yes
CO2 Fitted	Yes
A60 Bulk Head	Yes
Grain Fitted	
Bowthruster	450 kW

All details including speed are given in good faith and can vary on the individual vessels. They are to be considered „about“, are given without guarantee and must not be used as basis for charterparties or contracts without Intermarine's explicit written authority. For further information, please contact info@intermarine.com // **Last Revised: April 2024**

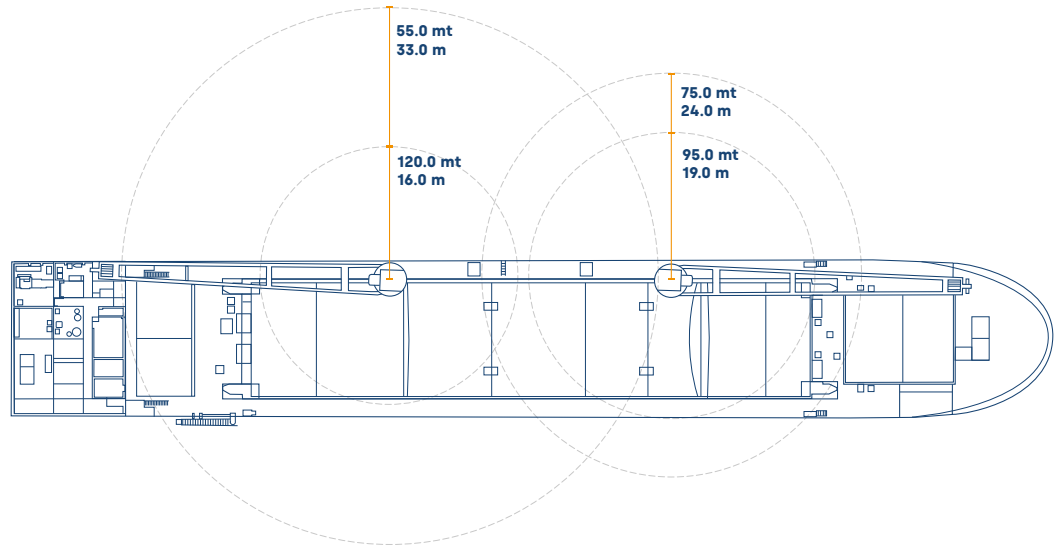
BACK



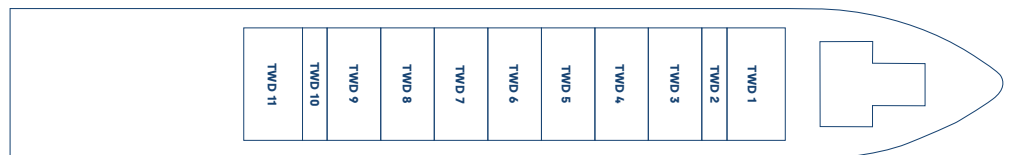
SIDE



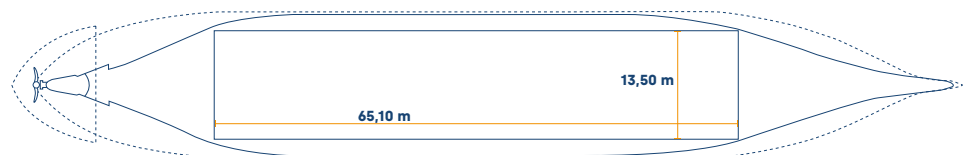
MAINDECK



TWEENDECK



TANKTOP



All details including speed are given in good faith and can vary on the individual vessels. They are to be considered „about“, are given without guarantee and must not be used as basis for charterparties or contracts without Intermarine’s explicit written authority. For further information, please contact info@intermarine.com // **Last Revised: April 2024**