

**General Info**

|                  |                          |
|------------------|--------------------------|
| <b>Type</b>      | Box-Hold MPP Tweendecker |
| <b>Class</b>     | Germanischer Lloyd       |
| <b>DWT</b>       | 6,288 MT                 |
| <b>Max Draft</b> | 7.28 M                   |
| <b>LOA</b>       | 99.98 M                  |
| <b>Beam</b>      | 17.00 M                  |
| <b>Max Speed</b> | About 13.5 Knots         |

**Special Features**

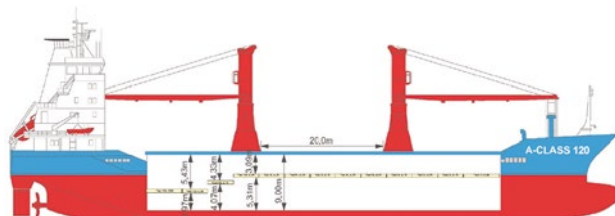
|                              |  |
|------------------------------|--|
| <b>Highest Iceclass</b>      |  |
| <b>CO<sup>2</sup> Fitted</b> |  |
| <b>IMO Fitted</b>            |  |
| <b>Australia Fitted</b>      |  |

**Main Particulars**

|                    |                                      |
|--------------------|--------------------------------------|
| <b>Cargo Holds</b> | 6,700 CBM Bale                       |
| <b>Containers</b>  | 360 TEU                              |
| <b>Cranes</b>      | 2 x 60 MT = 120 MT COMBI             |
| <b>Strengths</b>   | 15.3 MT/M <sup>2</sup> on Tanktop    |
|                    | 2.5 MT/M <sup>2</sup> on Tweendeck   |
|                    | 1.7 MT/M <sup>2</sup> on Hatchcovers |

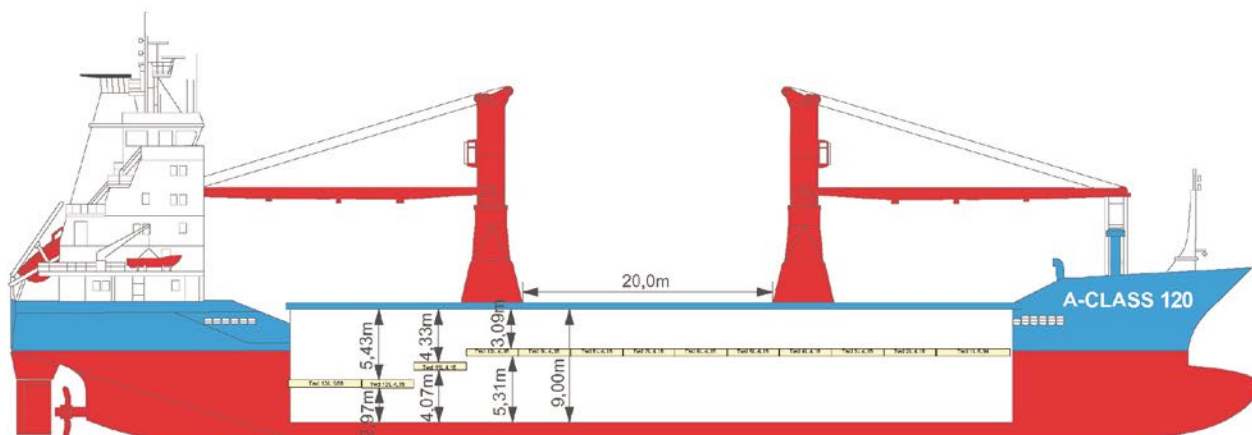
**A-Class 120 Vessels**

|            |            |
|------------|------------|
| <b>Ama</b> | Built 1998 |
| <b>Ace</b> | Built 1999 |

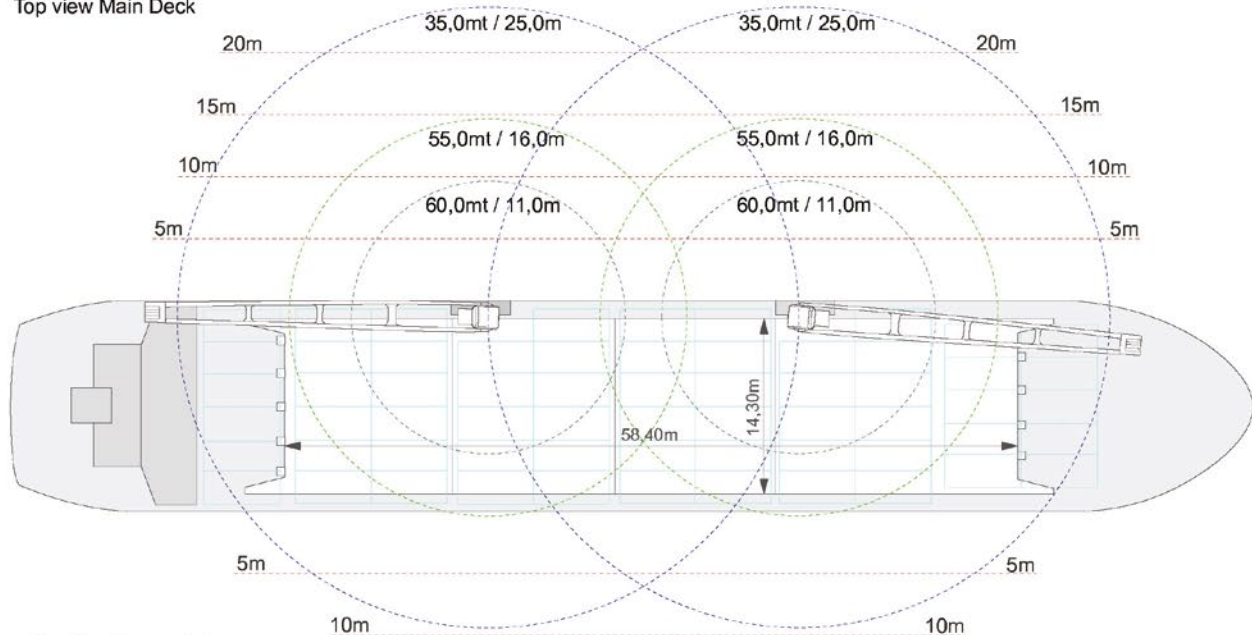


All above details are given in good faith but without guarantee. This description may not be used as basis for time charter parties or booking notes. If you like to receive further information please contact our sales team at [www.intermarine.com](http://www.intermarine.com)





Top view Main Deck



Top view Tweendeck



AP in meter

m from AP

Top view Tank Top

